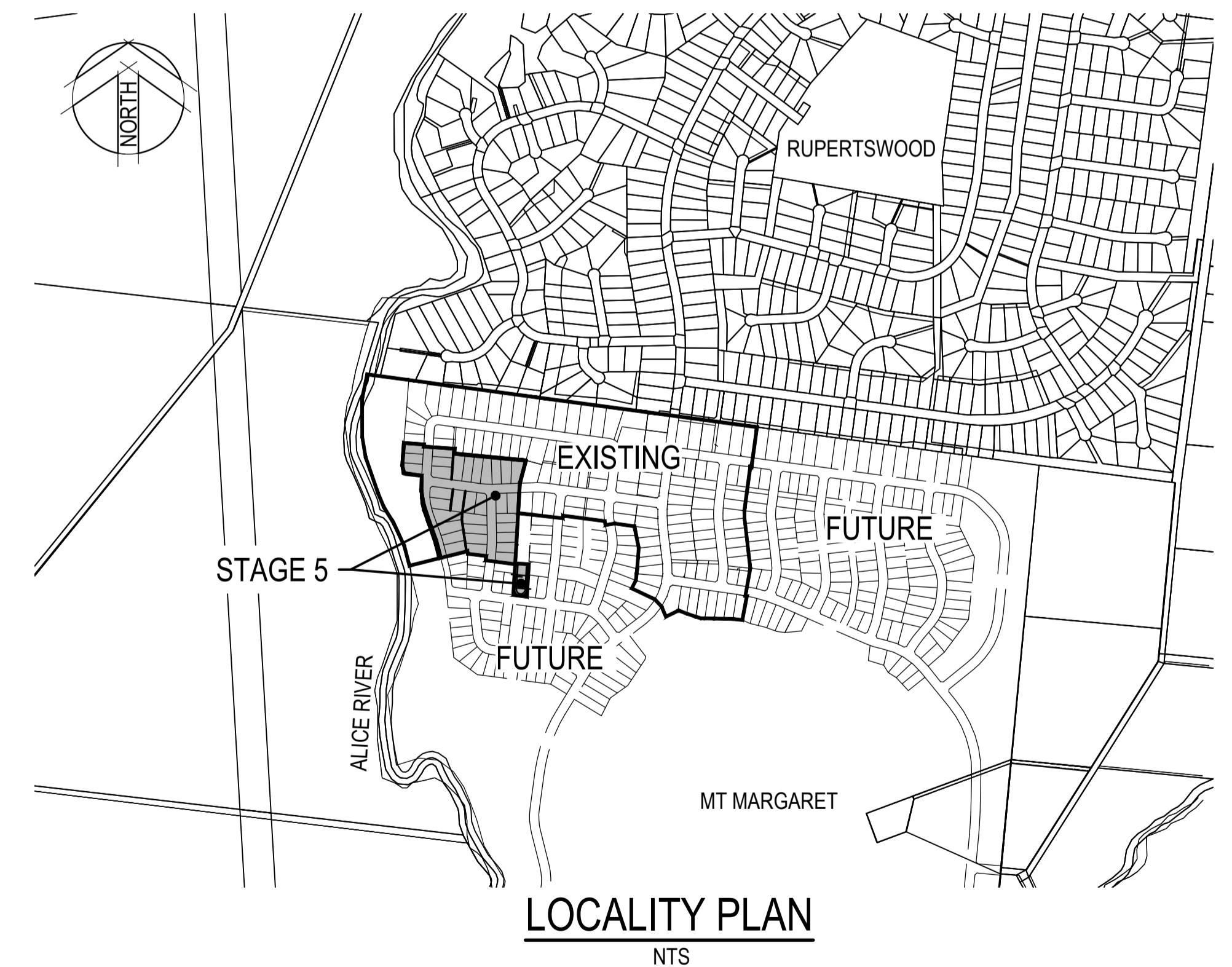


HOBSON CONSTRUCTIONS PTY LTD - MOUNT MARGARET

**AS CONSTRUCTED
STAGE 5
MOUNT MARGARET, ALICE RIVER**



SCHEDULE OF DRAWINGS	
DRAWING No.	DESCRIPTION
967192-CI-1500	COVER
967192-CI-1501	EARTHWORKS LAYOUT PLAN SHEET 1 OF 3
967192-CI-1502	EARTHWORKS LAYOUT PLAN SHEET 2 OF 3
967192-CI-1503	EARTHWORKS LAYOUT PLAN SHEET 3 OF 3
967192-CI-1504	ROADWORKS LONGITUDINAL SECTION - BRONZE ST
967192-CI-1505	ROADWORKS CROSS SECTIONS - BRONZE ST SHEET 1 OF 2
967192-CI-1506	ROADWORKS CROSS SECTIONS - BRONZE ST SHEET 2 OF 2
967192-CI-1507	ROADWORKS LONGITUDINAL SECTION CRYSTAL CRESCENT
967192-CI-1508	ROADWORKS CROSS SECTIONS CRYSTAL CRESCENT - SHEET 1 OF 2
967192-CI-1509	ROADWORKS CROSS SECTIONS CRYSTAL CRESCENT - SHEET 2 OF 2
967192-CI-1510	ROADWORKS LONGITUDINAL SECTION - RIPPLE ST
967192-CI-1511	ROADWORKS CROSS SECTIONS - RIPPLE ST
967192-CI-1512	INTERSECTION DETAIL PLANS SHEET 1 OF 2
967192-CI-1513	INTERSECTION DETAIL PLANS SHEET 2 OF 2
967192-CI-1514	WATER RETICULATION LAYOUT PLAN SHEET 1 OF 3
967192-CI-1515	WATER RETICULATION LAYOUT PLAN SHEET 2 OF 3
967192-CI-1516	WATER RETICULATION LAYOUT PLAN SHEET 3 OF 3
967192-CI-1517	CULVERT DETAILS
967192-CI-1518	BUILDING ENVELOPE AND DRIVEWAY ACCESS PLAN SHEET 1 OF 3
967192-CI-1519	BUILDING ENVELOPE AND DRIVEWAY ACCESS PLAN SHEET 2 OF 3
967192-CI-1520	BUILDING ENVELOPE AND DRIVEWAY ACCESS PLAN SHEET 3 OF 3



DATE PLOTTED: 1 November 2017 4:19 PM BY: JOEL DE VALTER

XR-967192-MASTER; XR-967192-EXISTING-CONTOURS; XR-967192-DESIGN-CONTOURS-STG5
 CAD File: S:\PROJECTS\TOWNSVILLE OFFICE\967192-1501.dwg



NOTES

- THIS DRAWING IS READ IN CONJUNCTION WITH COUNCIL STANDARD ROADWORKS AND STORMWATER DRAWINGS.
- ALL BACKFILL IS COMPACTED TO NOT LESS THAN 95% OF THE STANDARD MAXIMUM DRY DENSITY TO AS1289 IN MAXIMUM 150mm LAYERS UNLESS NOTED OTHERWISE.
- ALL CHAINAGES SHOWN ARE PEGGED CHAINAGES UNLESS SHOWN OTHERWISE.
- ALLOTMENTS ARE GRADED EVENLY BETWEEN LEVELS SHOWN. CONSTRUCTED LOT GRADE IS MINIMUM 1:4.00.
- ALL BATTERS WITHIN ALLOTMENTS ARE MAXIMUM 1 : 6 UNLESS NOTED OTHERWISE.

LEGEND

- - - 51.00 - - EXISTING SURFACE CONTOURS
- - - 51.00 - - DESIGN SURFACE CONTOURS
- FS 11.05
FILE 0.40 FINISHED ALLOTMENT LEVEL WITH CUT/FILL VALUE
- FS 11.05
EXST EXISTING ALLOTMENT LEVEL
- TOP OF BATTER
- - - BOTTOM OF BATTER

Q50 LEVELS

RIPPLE STREET		
CHAINAGE	LHS LEVEL	RHS LEVEL
25	51.9	52.0
50	51.9	52.0
75	52.0	52.0
100	52.0	52.0
125	52.0	52.1
150	52.0	52.2
175	52.2	52.3
200	52.4	52.5
225	52.5	52.6

Q50 LEVELS

BRONZE STREET		
CHAINAGE	LHS LEVEL	RHS LEVEL
450	51.9	51.0
475	51.9	51.6
500	51.9	51.7
525	51.9	51.7
550	51.9	51.7
575	52.0	51.8
600	52.0	51.8
625	52.0	51.9
650	52.0	51.9
675	52.0	52.0
700	52.0	52.1
725	52.3	52.2
750	52.3	52.3

Q50 LEVELS

CRYSTAL CRESCENT		
CHAINAGE	LHS LEVEL	RHS LEVEL
400	51.2	50.5
425	51.3	50.7
450	51.3	50.8
475	51.3	50.9
500	51.3	51.0
525	51.3	51.1
550	51.3	51.1
575	51.3	51.2
600	51.3	51.3
625	51.4	51.4
650	51.4	51.5
675	51.5	51.5
700	51.6	51.6
725	51.7	51.7
750	51.8	51.8
775	51.8	51.9
800	51.9	52.0
825	52.0	52.0
850	52.2	52.2
875	52.3	52.3
900	52.3	52.4
925	52.4	52.5
950	52.4	52.6
975	52.4	52.6
1000	52.5	52.6
1025	52.6	52.7
1050	52.6	52.8
1075	52.7	52.9
1100	52.8	53.0

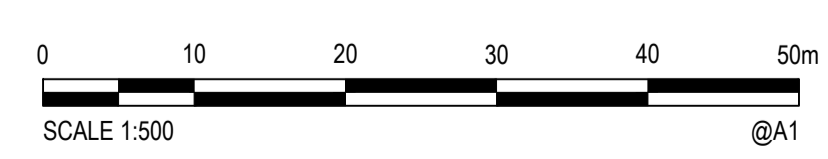
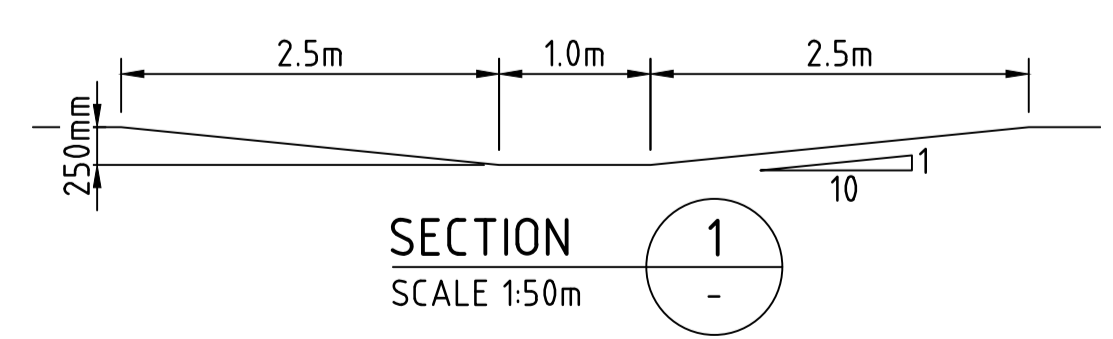
AS CONSTRUCTED

Rowlands Surveys Pty Ltd (ACN 010 025 260) hereby certify that the works detailed on this drawing, denoted *, have been constructed to the dimensions and levels shown.

Laurence John Nolan
 Director / Registered Surveyor

Date: 03/11/2017

PLAN
 SCALE 1:500 @ A1



© Cardno Limited All Rights Reserved.
 This document is produced by Cardno Limited solely for the benefit of and use by the client in accordance with the terms of the retainer. Cardno Limited does not and shall not assume any responsibility or liability whatsoever to any third party arising out of any use or reliance by third party on the content of this document.

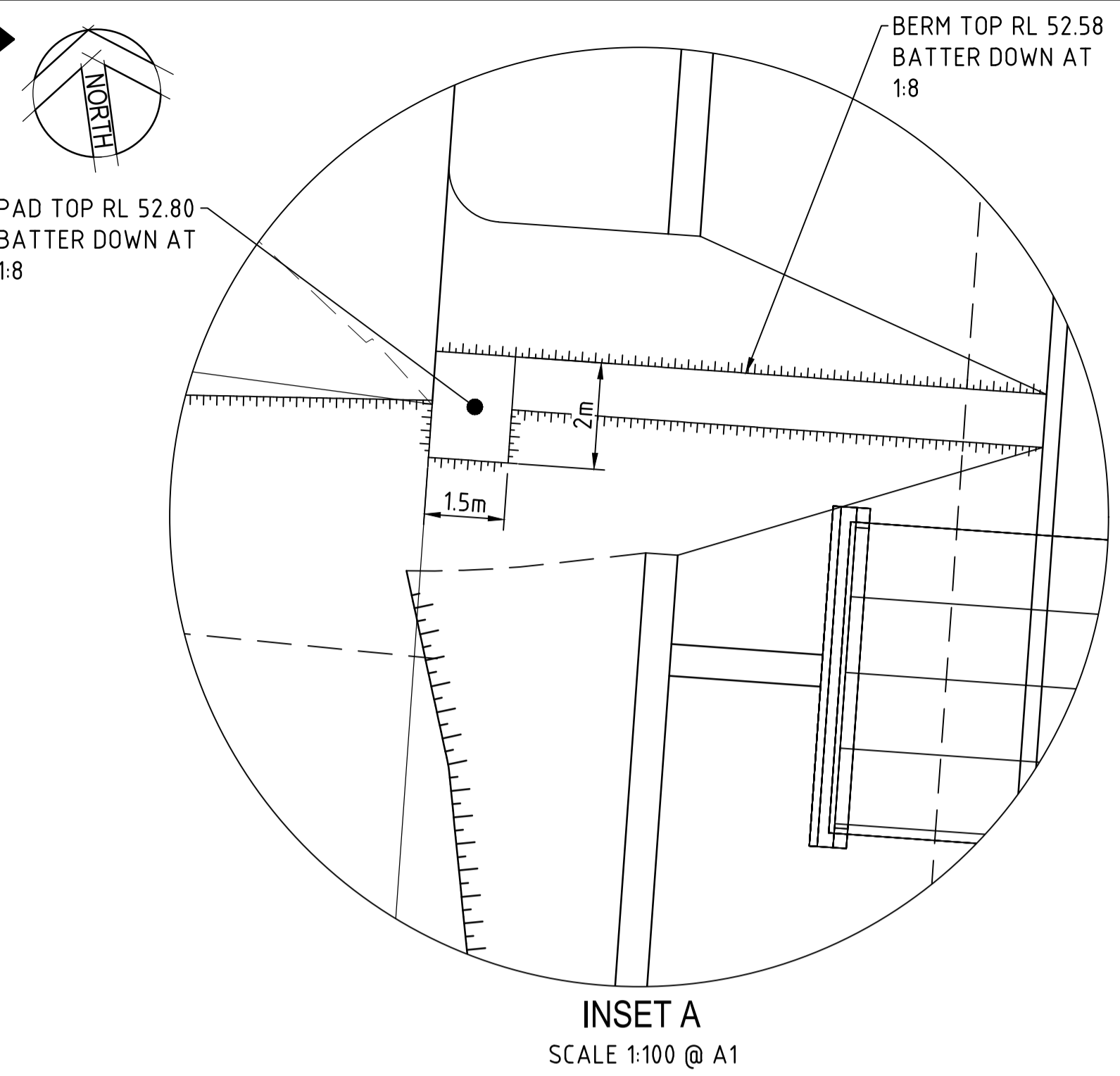
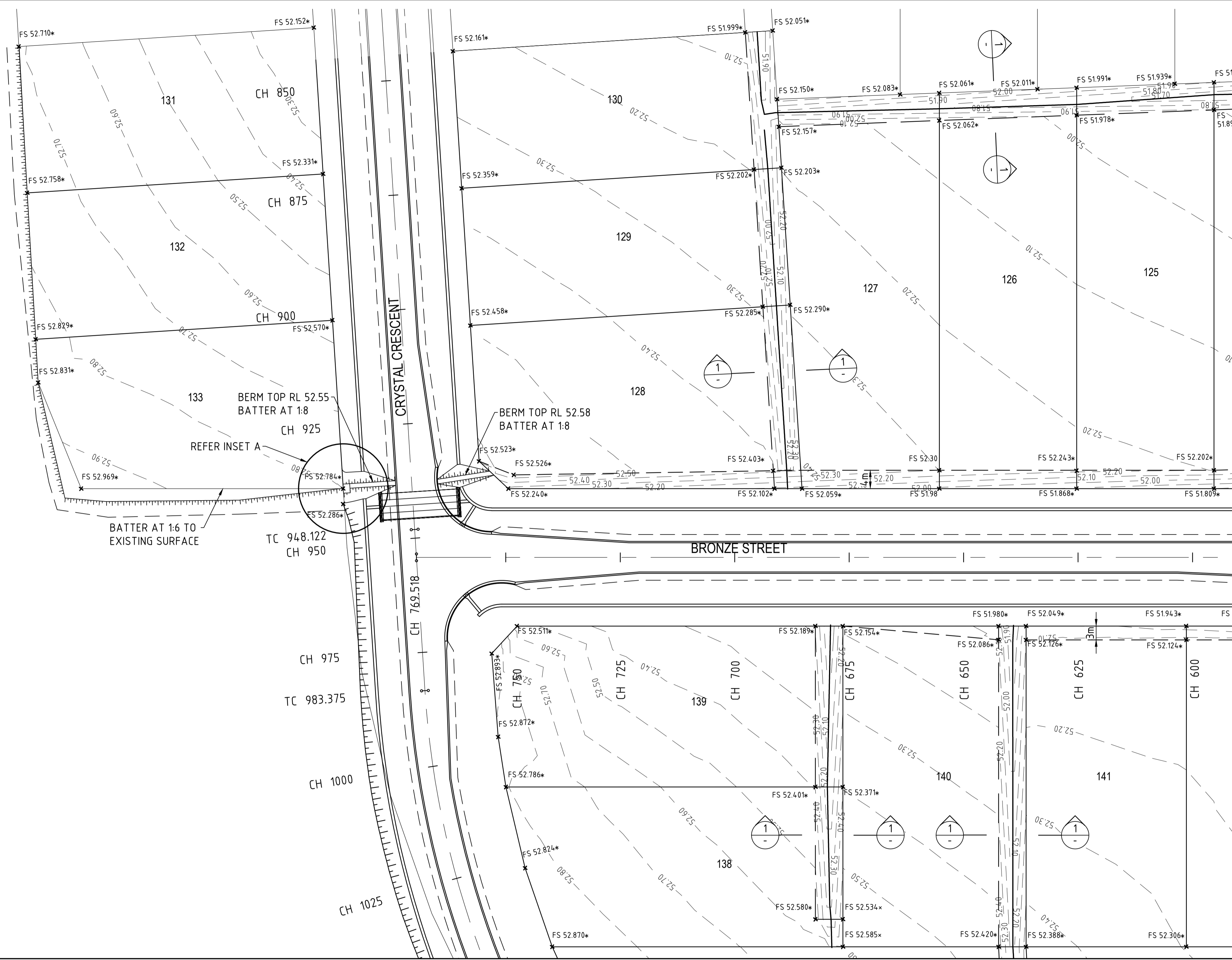


Drawn JD	Date 20.10.2017
Checked JW	Date 20.10.2017
Designed JN	Date 30.10.2015
Verified MB	Date 23.10.2017
Approved M.BANCROFT	Date 23.10.2017

Client	HOBSON CONSTRUCTIONS PTY LTD
Project	MOUNT MARGARET, ALICE RIVER
Stage	STAGE 5
Title	EARTHWORKS LAYOUT PLAN SHEET 1 OF 3

Status	AS CONSTRUCTED			
Datum	Date	Scale	Size	
A.H.D.	03.11.17	AS SHOWN	A1	
Drawing Number	967192-CI-1501			Revision
				A

Rev.	Date	Description	Des.	Verif.	Appd.
A	03.11.2009	AS CONSTRUCTED ISSUE		JD	MB



Q50 LEVELS RIPPLE STREET			Q50 LEVELS BRONZE STREET			Q50 LEVELS CRYSTAL CRESCENT		
CHAINAGE	LHS LEVEL	RHS LEVEL	CHAINAGE	LHS LEVEL	RHS LEVEL	CHAINAGE	LHS LEVEL	RHS LEVEL
25	51.9	52.0	450	51.9	51.0	400	51.2	50.5
50	51.9	52.0	475	51.9	51.6	425	51.3	50.7
75	52.0	52.0	500	51.9	51.7	450	51.3	50.8
100	52.0	52.0	525	51.9	51.7	475	51.3	50.9
125	52.0	52.1	550	51.9	51.7	500	51.3	51.0
150	52.0	52.2	575	52.0	51.8	525	51.3	51.1
175	52.2	52.3	600	52.0	51.8	550	51.3	51.1
200	52.4	52.5	625	52.0	51.9	575	51.3	51.2
225	52.5	52.6	650	52.0	51.9	600	51.3	51.3
			675	52.0	52.0	625	51.4	51.4
			700	52.0	52.1	650	51.4	51.5
			725	52.3	52.2	675	51.5	51.5
			750	52.3	52.3	700	51.6	51.6
						725	51.7	51.7
						750	51.8	51.8
						775	51.8	51.9
						800	51.9	52.0
						825	52.0	52.0
						850	52.2	52.2
						875	52.3	52.3
						900	52.3	52.4
						925	52.4	52.5
						950	52.4	52.6
						975	52.4	52.6
						1000	52.5	52.6
						1025	52.6	52.7
						1050	52.6	52.8
						1075	52.7	52.9
						1100	52.8	53.0

NOTES

- THIS DRAWING IS READ IN CONJUNCTION WITH COUNCIL STANDARD ROADWORKS AND STORMWATER DRAWINGS.
- ALL BACKFILL IS COMPACTED TO NOT LESS THAN 95% OF THE STANDARD MAXIMUM DRY DENSITY TO AS1289 IN MAXIMUM 150mm LAYERS UNLESS NOTED OTHERWISE.
- ALL CHAINAGES SHOWN ARE PEGGED CHAINAGES UNLESS SHOWN OTHERWISE.
- ALLOTMENTS ARE GRADED EVENLY BETWEEN LEVELS SHOWN. CONSTRUCTED LOT GRADE IS MINIMUM 1:4.00.
- ALL BATTERS WITHIN ALLOTMENTS ARE MAXIMUM 1 : 6 UNLESS NOTED OTHERWISE.

LEGEND

- 51.00- EXISTING SURFACE CONTOURS
- 51.00- DESIGN SURFACE CONTOURS
- FS 11.05 FINISHED ALLOTMENT LEVEL WITH CUT/FILL VALUE
- FS 11.05 EXIST EXISTING ALLOTMENT LEVEL
- TOP OF BATTER
- BOTTOM OF BATTER

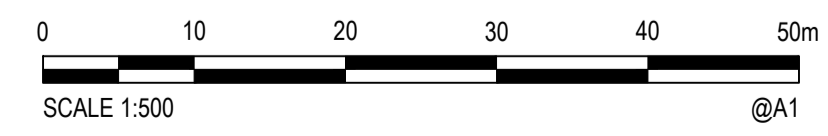
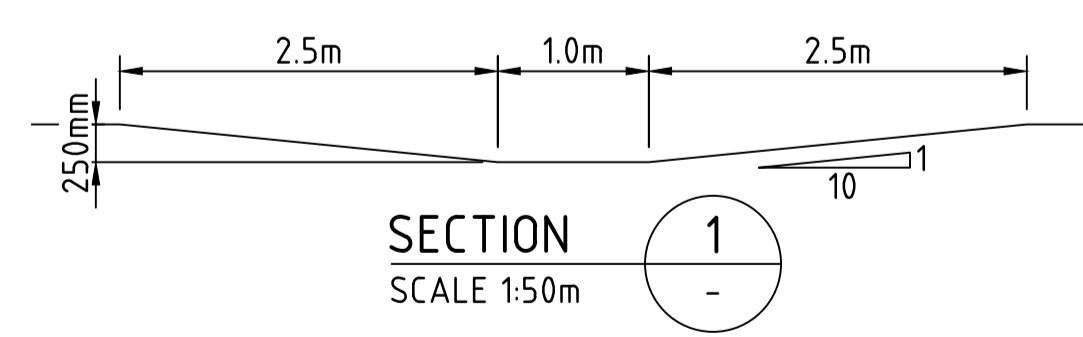
PLAN
SCALE 1:500 @ A1

AS CONSTRUCTED

Rowlands Surveys Pty Ltd (ACN 010 025 260) hereby certify that the works detailed on this drawing, denoted *, have been constructed to the dimensions and levels shown.

Laurence John Nolan
Director / Registered Surveyor

Date: 03/11/2017



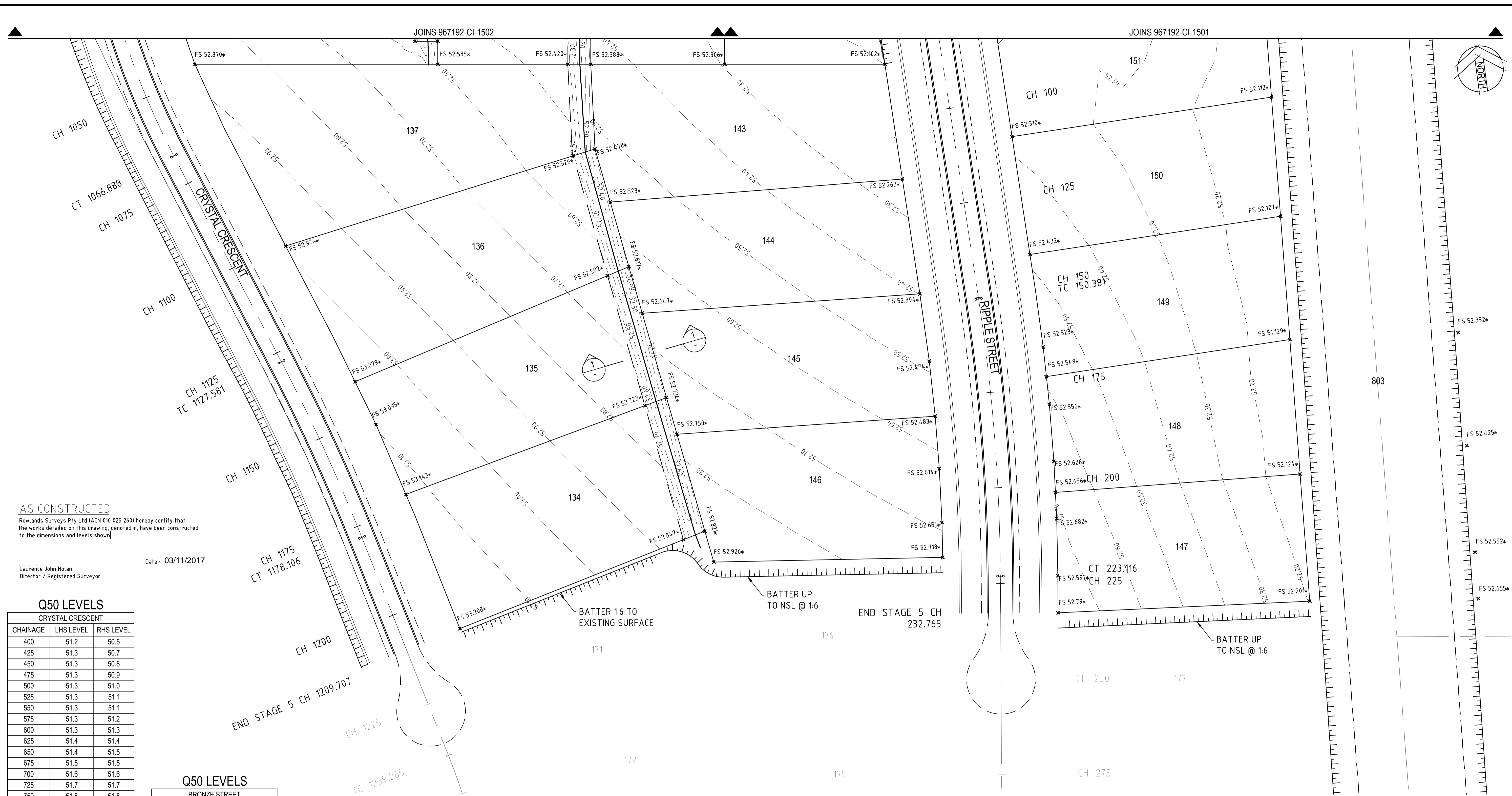
© Cardno Limited All Rights Reserved.
This document is produced by Cardno Limited solely for the benefit of and use by the client in accordance with the terms of the retainer. Cardno Limited does not and shall not assume any responsibility or liability whatsoever to any third party arising out of any use or reliance by third party on the content of this document.

Drawn JD	Date 20.10.2017
Checked JW	Date 20.10.2017
Designed JN	Date 30.10.2015
Verified MB	Date 23.10.2017
Approved M.BANCROFT	Date 23.10.2017

Client	HOBSON CONSTRUCTIONS PTY LTD
Project	MOUNT MARGARET, ALICE RIVER
Stage	STAGE 5
Title	EARTHWORKS LAYOUT PLAN
	SHEET 2 OF 3

AS CONSTRUCTED			
Datum	Date	Scale	Size
A.H.D.	03.11.17	AS SHOWN	A1
Drawing Number	967192-CI-1502		Revision
			A

Rev.	Date	Description	JD	MB	MB
A	03.11.2010	AS CONSTRUCTED ISSUE			
			Des.	Verif.	Appd.



AS CONSTRUCTED

Rowlands Surveys Pty Ltd (ACN 010 025 260) hereby certify that the works detailed on this drawing, denoted *, have been constructed to the dimensions and levels shown.

Laurence John Nolan
Director / Registered Surveyor

Date: 03/11/2017

Q50 LEVELS

CRYSTAL CRESCENT		
CHAINAGE	LHS LEVEL	RHS LEVEL
400	51.2	50.5
425	51.3	50.7
450	51.3	50.8
475	51.3	50.9
500	51.3	51.0
525	51.3	51.1
550	51.3	51.1
575	51.3	51.2
600	51.3	51.3
625	51.4	51.4
650	51.4	51.5
675	51.5	51.5
700	51.6	51.6
725	51.7	51.7
750	51.8	51.8
775	51.8	51.9
800	51.9	52.0
825	52.0	52.0
850	52.2	52.2
875	52.3	52.3
900	52.3	52.4
925	52.4	52.5
950	52.4	52.6
975	52.4	52.6
1000	52.5	52.6
1025	52.6	52.7
1050	52.6	52.8
1075	52.7	52.9
1100	52.8	53.0

Q50 LEVELS

BRONZE STREET		
CHAINAGE	LHS LEVEL	RHS LEVEL
450	51.9	51.0
475	51.9	51.6
500	51.9	51.7
525	51.9	51.7
550	51.9	51.7
575	52.0	51.8
600	52.0	51.8
625	52.0	51.9
650	52.0	51.9
675	52.0	52.0
700	52.0	52.1
725	52.3	52.2
750	52.3	52.3

Q50 LEVELS

RIPPLE STREET		
CHAINAGE	LHS LEVEL	RHS LEVEL
25	51.9	52.0
50	51.9	52.0
75	52.0	52.0
100	52.0	52.0
125	52.0	52.1
150	52.0	52.2
175	52.2	52.3
200	52.4	52.5
225	52.5	52.6

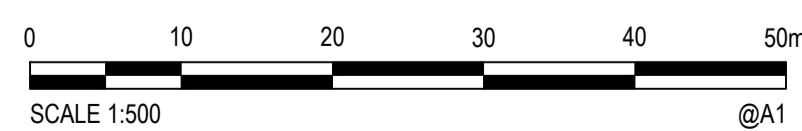
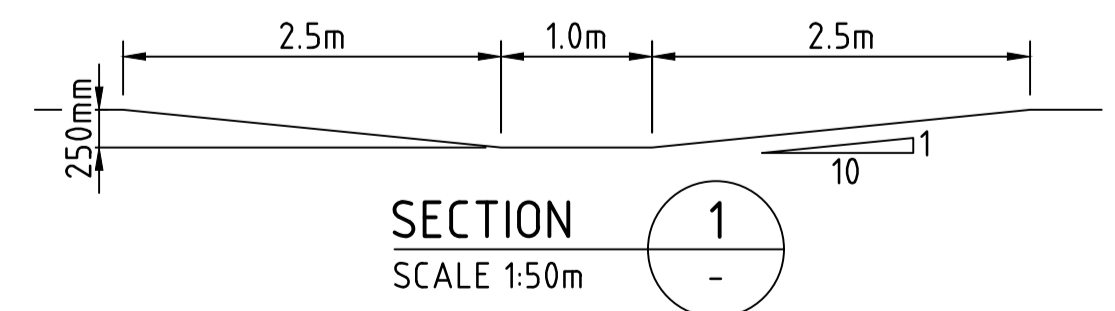
LEGEND

- 51.00— EXISTING SURFACE CONTOURS
- -51.00- - DESIGN SURFACE CONTOURS
- FS 11.05
FILL 0.40 FINISHED ALLOTMENT LEVEL WITH CUT/FILL VALUE
- FS 11.05
EXIST EXISTING ALLOTMENT LEVEL
- TOP OF BATTER
- BOTTOM OF BATTER

PLAN
SCALE 1:500 @ A1

NOTES

- THIS DRAWING IS READ IN CONJUNCTION WITH COUNCIL STANDARD ROADWORKS AND STORMWATER DRAWINGS.
- ALL BACKFILL IS COMPACTED TO NOT LESS THAN 95% OF THE STANDARD MAXIMUM DRY DENSITY TO AS1289 IN MAXIMUM 150mm LAYERS UNLESS NOTED OTHERWISE.
- ALL CHAINAGES SHOWN ARE PEGGED CHAINAGES UNLESS SHOWN OTHERWISE.
- ALLOTMENTS ARE GRADED EVENLY BETWEEN LEVELS SHOWN. CONSTRUCTED LOT GRADE IS MINIMUM 1:4.00.
- ALL BATTERS WITHIN ALLOTMENTS ARE MAXIMUM 1 : 6 UNLESS NOTED OTHERWISE.



© Cardno Limited All Rights Reserved.
This document is produced by Cardno Limited solely for the benefit of and use by the client in accordance with the terms of the retainer. Cardno Limited does not and shall not assume any responsibility or liability whatsoever to any third party arising out of any use or reliance by third party on the content of this document.

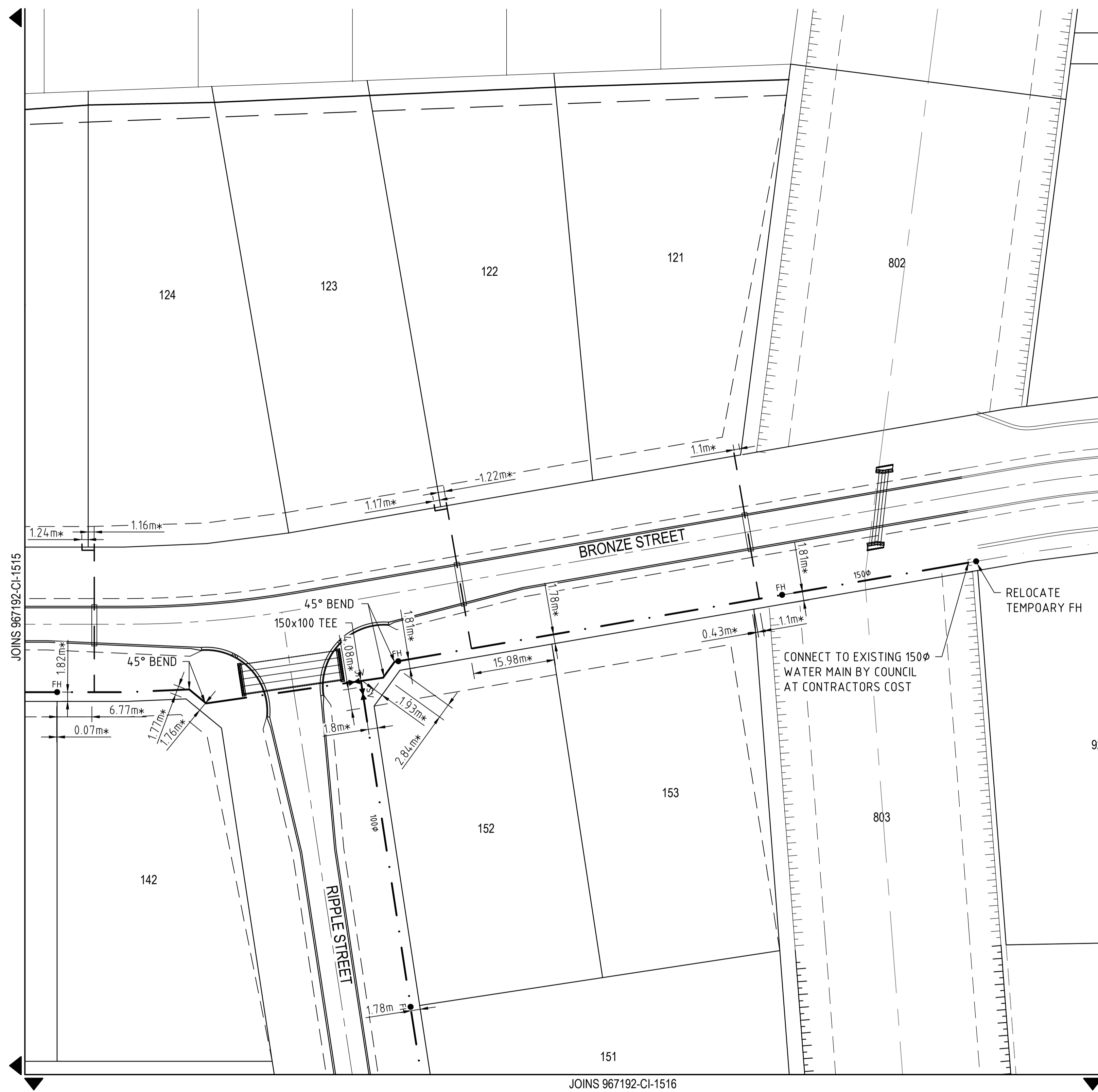
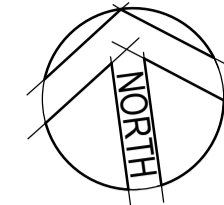
Cardno
Shaping the Future
Cardno (Qld) Pty Ltd | ABN 57 051 074 992
583 Flinders Street
Townsville, QLD 4810
Tel: 07 4772 1166 Fax: 07 4721 2508
Web: www.cardno.com.au

Drawn JD	Date 20.10.2017
Checked JW	Date 20.10.2017
Designed JN	Date 30.10.2015
Verified MB	Date 23.10.2017
Approved M.BANCROFT	Date 23.10.2017

Client	HOBSON CONSTRUCTIONS PTY LTD
Project	MOUNT MARGARET, ALICE RIVER STAGE 5
Title	EARTHWORKS LAYOUT PLAN SHEET 3 OF 3

Status	AS CONSTRUCTED			
Datum	Date	Scale	Size	
A.H.D.	03.11.17	AS SHOWN	A1	
Drawing Number	967192-CI-1503			Revision
				A

A	03.11.2011	AS CONSTRUCTED ISSUE	JD	MB	MB
Rev.	Date	Description	Des.	Verf.	Appd.



PLAN
SCALE 1:500 @ A1

NOTES

1. THIS DRAWING IS READ IN CONJUNCTION WITH THE RELEVANT CITY COUNCIL STANDARD WATER DRAWINGS INCLUDING FORMER THURINGOWA STANDARD DRAWINGS.
2. CONNECTION TO EXISTING WATERMAIN ARE CARRIED OUT BY THE COUNCIL AT CONTRACTORS COST.
3. ALL WATERMANS ARE LOCATED 1.8m +/- 0.1m OFF ROAD RESERVE ALIGNMENTS UNLESS NOTED OTHERWISE.
4. PIPES FOR WATER MAINS ARE PVC-U CLASS 16, OD COMPATIBLE TO AS1477, RUBBER RING JOINTED WITH SOCKETED DICI L FITTINGS.
5. PIPE FITTINGS ARE DICI L TO AS2280.
6. POLYTHENE PIPES ARE MDPE PN16 TO AS4130
7. TRENCH WALLS FOR SERVICES ARE BATTERED FOR CONSTRUCTION SAFETY.

AS CONSTRUCTED

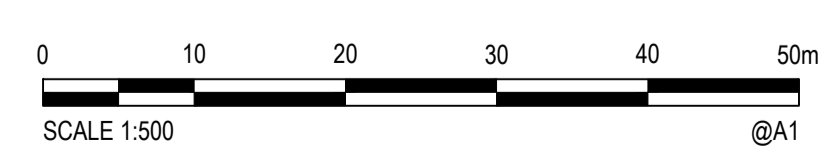
Rowlands Surveys Pty Ltd (ACN 010 025 260) hereby certify that the works detailed on this drawing, denoted *, have been constructed to the dimensions and levels shown

Laurence John Nolan
Director / Registered Surveyor

Date: 03/11/2017

LEGEND

- | | | | |
|-----------|-----------------------|------------|---|
| - - - - | EXISTING WATERMAIN | - - - - φ | WATERMAIN AND SIZE |
| - - - - ○ | EXISTING FIRE HYDRANT | - - - - FH | FIRE HYDRANT |
| - - - - ⊕ | EXISTING VALVE | - - - - SV | VALVE AND SIZE |
| - - - - T | EXISTING TEE | - - - - T | TEE |
| - - - - ⊥ | EXISTING END CAP | - - - - ⊥ | END CAP |
| - - - - | | - - - - | 32 O.D. MDPE WITH ENVELOPER |
| - - - - | | - - - - | 1.78m* CERTIFIED WATER MAIN ALIGNMENT OFFSETS FROM LOT BOUNDARY |



© Cardno Limited All Rights Reserved.
This document is produced by Cardno Limited solely for the benefit of and use by the client in accordance with the terms of the retainer. Cardno Limited does not and shall not assume any responsibility or liability whatsoever to any third party arising out of any use or reliance by third party on the content of this document.

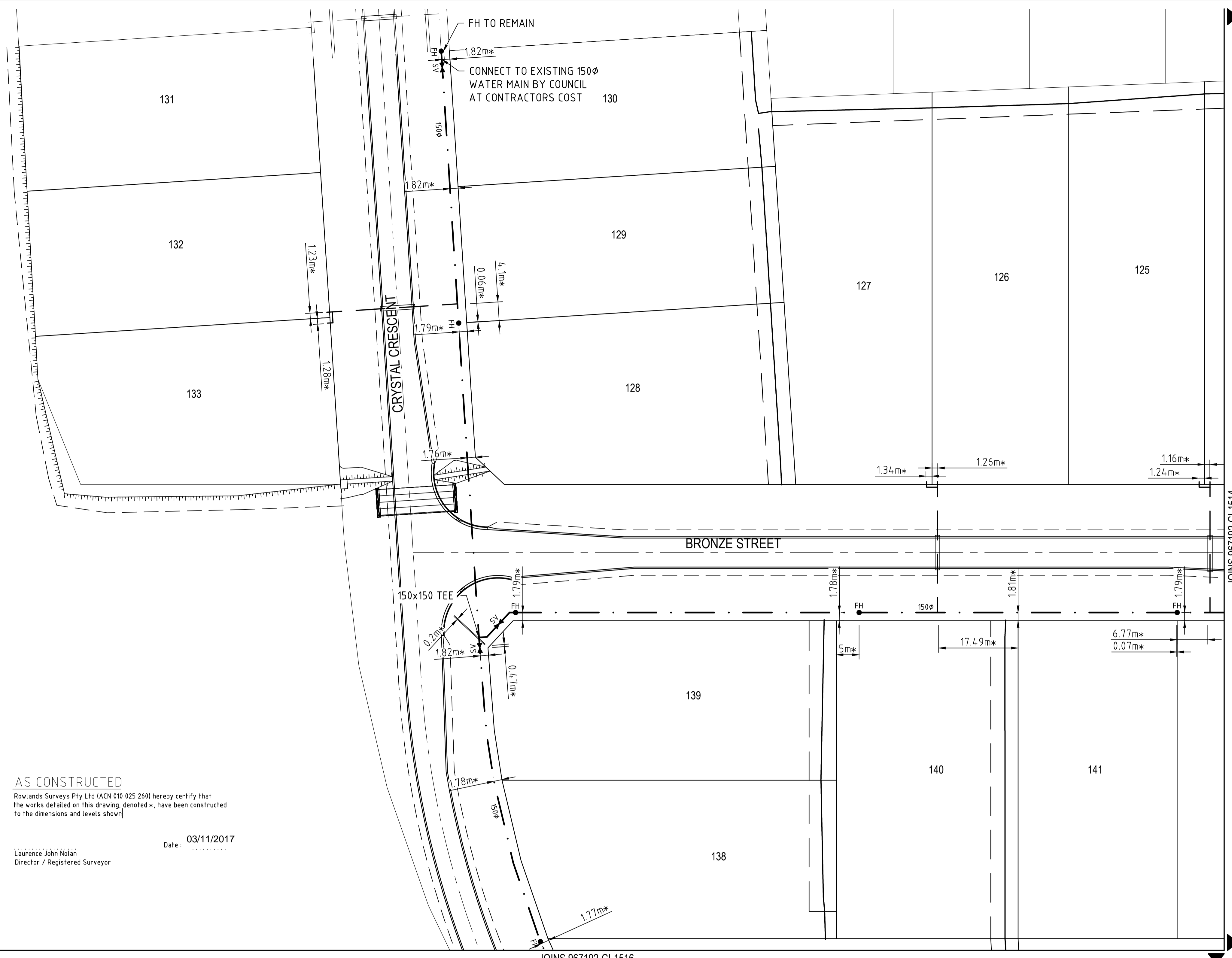
Cardno (Qld) Pty Ltd | ABN 57 051 074 992
583 Flinders Street
Townsville, QLD 4810
Tel: 07 4772 1166 Fax: 07 4721 2508
Web: www.cardno.com.au

Drawn	JD	Date	20.10.2017
Checked	JW	Date	20.10.2017
Designed	JN	Date	30.10.2015
Verified	MB	Date	23.10.2017
Approved	M.BANCROFT	Date	23.10.2017

Client	HOBSON CONSTRUCTIONS PTY LTD
Project	MOUNT MARGARET, ALICE RIVER STAGE 5
Title	WATER RETICULATION LAYOUT PLAN SHEET 1 OF 3

Status	AS CONSTRUCTED						
Datum	A.H.D.	Date	03.11.17	Scale	AS SHOWN	Size	A1
Drawing Number	967192-CI-1514			Revision	A		

Rev.	Date	Description	Des.	Verif.	Appd.
A	03.11.2017	AS CONSTRUCTED ISSUE	JD	MB	MB



NOTES

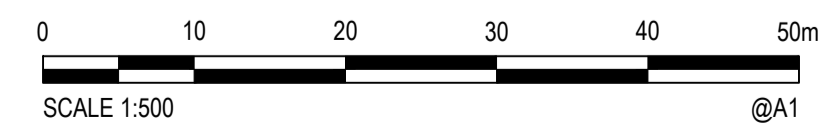
1. THIS DRAWING IS READ IN CONJUNCTION WITH THE RELEVANT CITY COUNCIL STANDARD WATER DRAWINGS INCLUDING FORMER THURINGOWA STANDARD DRAWINGS.
2. CONNECTION TO EXISTING WATERMAIN ARE CARRIED OUT BY THE COUNCIL AT CONTRACTORS COST.
3. ALL WATERMANS ARE LOCATED 1.8m +/- 0.1m OFF ROAD RESERVE ALIGNMENTS UNLESS NOTED OTHERWISE.
4. PIPES FOR WATER MAINS ARE PVC-U CLASS 16, OD COMPATIBLE TO AS1477, RUBBER RING JOINTED WITH SOCKETED DICL FITTINGS.
5. PIPE FITTINGS ARE DICL TO AS2280.
6. POLYTHENE PIPES ARE MDPE PN16 TO AS4130
7. TRENCH WALLS FOR SERVICES ARE BATTERED FOR CONSTRUCTION SAFETY.

LEGEND

- EXISTING WATERMAIN
- EXISTING FIRE HYDRANT
- EXISTING VALVE
- EXISTING TEE
- EXISTING END CAP
- WATERMAIN AND SIZE
- FIRE HYDRANT
- VALVE AND SIZE
- TEE
- END CAP
- 32 O.D. MDPE WITH ENVELOPER
- 1.78m* CERTIFIED WATER MAIN ALIGNMENT OFFSETS FROM LOT BOUNDARY

AS CONSTRUCTED
 Rowlands Surveys Pty Ltd (ACN 010 025 260) hereby certify that the works detailed on this drawing, denoted *, have been constructed to the dimensions and levels shown.
 Date: 03/11/2017
 Laurence John Nolan
 Director / Registered Surveyor

JOINS 967192-CI-1516
PLAN
 SCALE 1:500 @ A1



© Cardno Limited All Rights Reserved.
 This document is produced by Cardno Limited solely for the benefit of and use by the client in accordance with the terms of the retainer. Cardno Limited does not and shall not assume any responsibility or liability whatsoever to any third party arising out of any use or reliance by third party on the content of this document.

Cardno (Qld) Pty Ltd | ABN 57 051 074 992
 583 Flinders Street
 Townsville, QLD 4810
 Tel: 07 4772 1166 Fax: 07 4721 2508
 Web: www.cardno.com.au

Drawn	JD	Date	20.10.2017
Checked	JW	Date	20.10.2017
Designed	JN	Date	30.10.2015
Verified	MB	Date	23.10.2017
Approved	M.BANCROFT	Date	23.10.2017

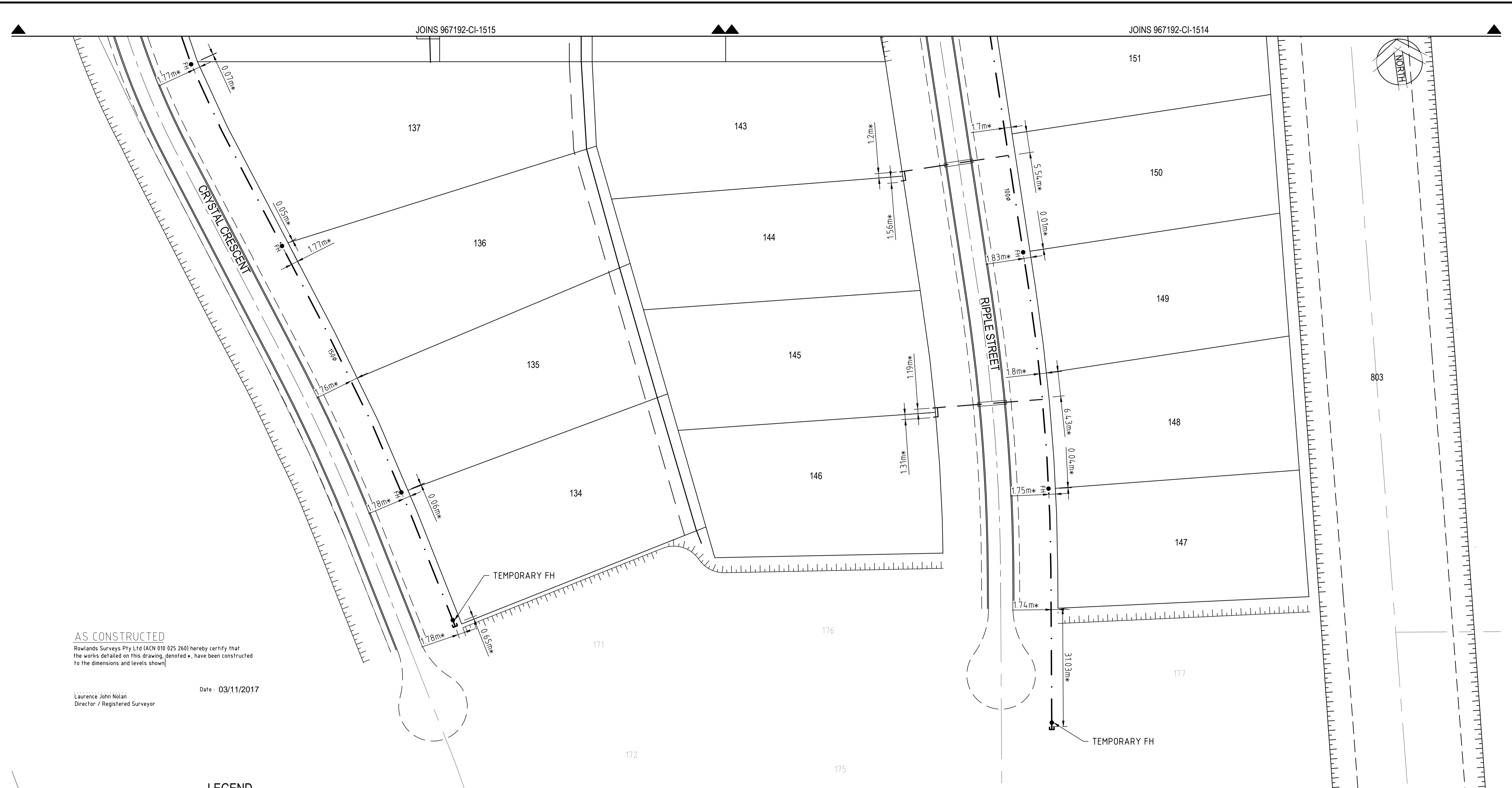
Client	HOBSON CONSTRUCTIONS PTY LTD
Project	MOUNT MARGARET, ALICE RIVER STAGE 5
Title	WATER RETICULATION LAYOUT PLAN SHEET 2 OF 3

Status			
AS CONSTRUCTED			
Datum	Date	Scale	Size
A.H.D.	03.11.17	AS SHOWN	A1
Drawing Number			Revision
967192-CI-1515			A

Rev.	Date	Description	Des.	Verif.	Appd.
A	03.11.2017	AS CONSTRUCTED ISSUE	JD	MB	MB

DATE PLOTTED: 1 November 2017 4:21 PM BY: JOEL DE VALTER

XREFS: XR-967192-MASTER_X_43361_RSPL_Water Ascon
CAD File: S:\PROJECTS\TOWNSVILLE OFFICE\967192-CI-1516.DWG



AS CONSTRUCTED
Rowlands Surveys Pty Ltd (ACN 010 025 260) hereby certify that the works detailed on this drawing, denoted *, have been constructed to the dimensions and levels shown

Date: 03/11/2017
Laurence John Nolan
Director / Registered Surveyor

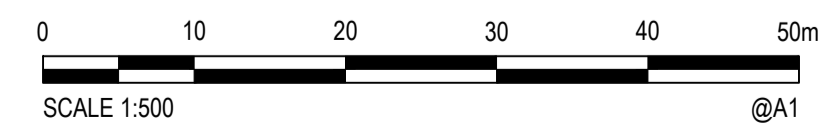
LEGEND

- EXISTING WATERMAIN
- EXISTING FIRE HYDRANT
- EXISTING VALVE
- EXISTING TEE
- EXISTING END CAP
- WATERMAIN AND SIZE
- FIRE HYDRANT
- VALVE AND SIZE
- TEE
- END CAP
- 32 O.D. MDPE WITH ENVELOPER
- CERTIFIED WATER MAIN ALIGNMENT OFFSETS FROM LOT BOUNDARY

PLAN
SCALE 1:500 @ A1

NOTES

1. THIS DRAWING IS READ IN CONJUNCTION WITH THE RELEVANT CITY COUNCIL STANDARD WATER DRAWINGS INCLUDING FORMER THURINGOWA STANDARD DRAWINGS.
2. CONNECTION TO EXISTING WATERMAIN ARE CARRIED OUT BY THE COUNCIL AT CONTRACTORS COST.
3. ALL WATERMANS ARE LOCATED 1.8m +/- 0.1m OFF ROAD RESERVE ALIGNMENTS UNLESS NOTED OTHERWISE.
4. PIPES FOR WATER MAINS ARE PVC-U CLASS 16, OD COMPATIBLE TO AS1477, RUBBER RING JOINTED WITH SOCKETTED DICL FITTINGS.
5. PIPE FITTINGS ARE DICL TO AS2280.
6. POLYTHENE PIPES ARE MDPE PN16 TO AS4130
7. TRENCH WALLS FOR SERVICES ARE BATTERED FOR CONSTRUCTION SAFETY.



© Cardno Limited All Rights Reserved.
This document is produced by Cardno Limited solely for the benefit of and use by the client in accordance with the terms of the retainer. Cardno Limited does not and shall not assume any responsibility or liability whatsoever to any third party arising out of any use or reliance by third party on the content of this document.

Cardno (Qld) Pty Ltd | ABN 57 051 074 992
583 Flinders Street
Townsville, QLD 4810
Tel: 07 4772 1166 Fax: 07 4721 2508
Web: www.cardno.com.au

Drawn	Date	Client
JD	20.10.2017	HOBSON CONSTRUCTIONS PTY LTD
Checked	Date	Project
JW	20.10.2017	MOUNT MARGARET, ALICE RIVER
Designed	Date	Stage
JN	30.10.2015	STAGE 5
Verified	Date	Title
MB	23.10.2017	WATER RETICULATION LAYOUT PLAN
Approved	Date	Sheet
M.BANCROFT	23.10.2017	SHEET 3 OF 3

Status			
AS CONSTRUCTED			
Datum	Date	Scale	Size
A.H.D.	03.11.17	AS SHOWN	A1
Drawing Number			Revision
967192-CI-1516			A

Rev.	Date	Description	Des.	Verif.	Appd.
A	03.11.2017	AS CONSTRUCTED ISSUE		JD	MB